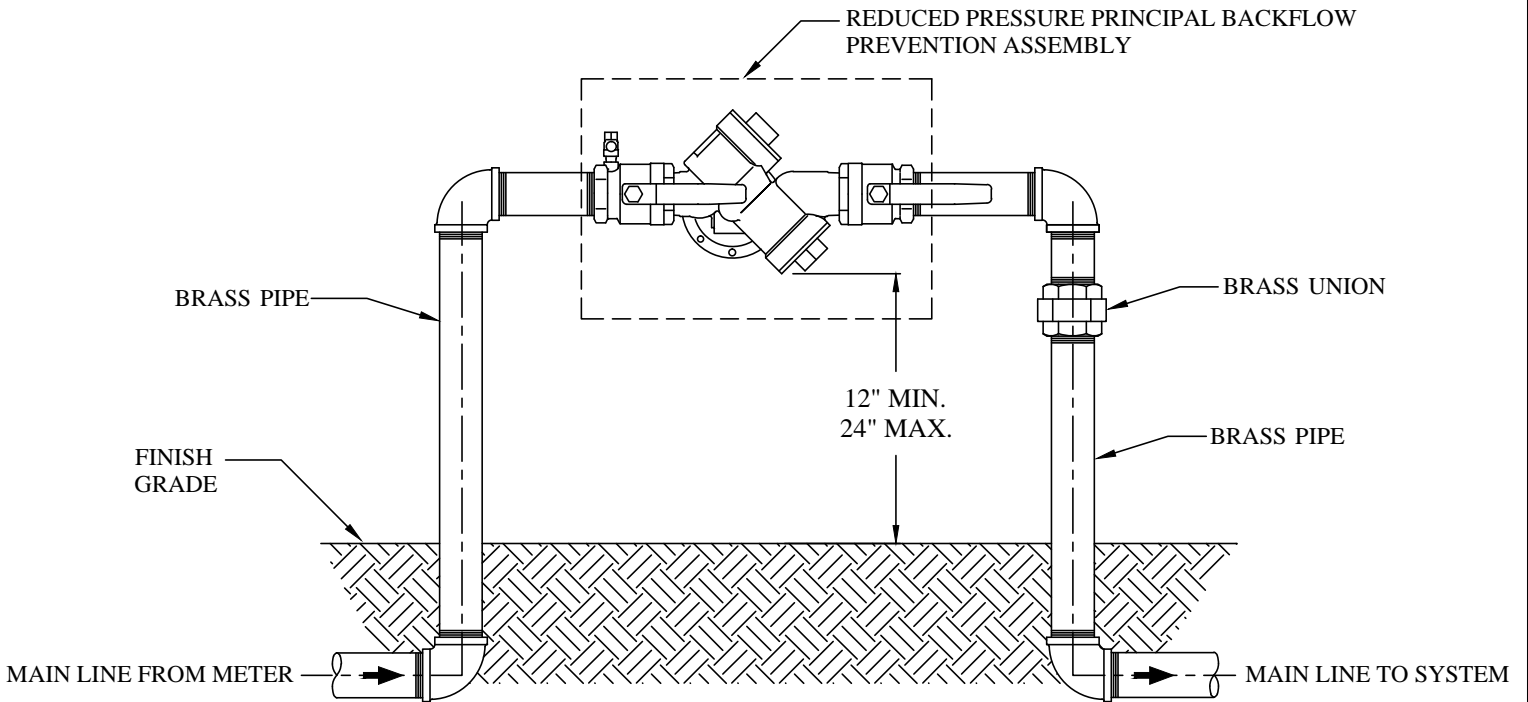


**NOTES**

1. ALL NEW AND/OR REPLACEMENT BACKFLOW PREVENTION ASSEMBLIES FOR METER PROTECTION SHALL BE INSTALLED AS CLOSE AS PRACTICAL TO THE METER BOX BUT NOT FURTHER THAN 12" UNLESS A VARIANCE IS OBTAINED FROM ETWD PRIOR TO INSTALLATION.
2. ALL BACKFLOW PREVENTION ASSEMBLIES MUST BE ON THE CURRENT USC FOUNDATION FOR CROSS-CONNECTION CONTROL AND HYDRAULIC RESEARCH LIST OF APPROVED BACKFLOW PREVENTION ASSEMBLIES.
3. UPON COMPLETION OF THE INSTALLATION OF THE ASSEMBLY, A TEST SHALL BE PERFORMED AND A CERTIFICATE OF ADEQUACY AND OPERATIONAL COMPLIANCE SHALL BE FURNISHED TO ETWD. THE TEST SHALL BE PERFORMED BY A TESTER CERTIFIED BY THE ORANGE COUNTY DEPARTMENT OF ENVIRONMENTAL HEALTH.
4. ETWD MAINTENANCE RESPONSIBILITY STOPS AT THE METER. THE CUSTOMER IS RESPONSIBLE TO TEST AND MAINTAIN THE BACKFLOW PREVENTION ASSEMBLY.
5. BACKFLOW CERTIFICATION TESTING IS REQUIRED ANNUALLY AT A MINIMUM BUT MAY BE MORE FREQUENT AS DEEMED NECESSARY BY ETWD. CERTIFICATION TESTING IS REQUIRED IMMEDIATELY AFTER AN ASSEMBLY IS RELOCATED, REPLACED, AND REPAIRED.
6. BACKFLOW PREVENTION ASSEMBLY SIZE SHALL MATCH THE DIAMETER OF THE METER IN ACCORDANCE WITH THE UNIFORM PLUMBING CODE; CHAPTER 6, SECTION 610 AS AMENDED, OR UP TO 1" LARGER.
7. BACKFLOW PREVENTION ASSEMBLY INSTALLATIONS INCLUDING ALL APPURTENANCES FOR THE SUPPLY OF DOMESTIC WATER SHALL COMPLY WITH THE REQUIREMENTS OF THE CALIFORNIA LEAD-FREE ACT AB1953.
8. NO OUTLETS, TEES, OR CONNECTIONS SHALL BE ALLOWED BETWEEN THE METER AND THE BACKFLOW PREVENTION ASSEMBLY.
9. BACKFLOW PREVENTION ASSEMBLIES SHALL MAINTAIN A VERTICAL CLEARANCE FROM THE LOWEST POINT OF 12" (MIN.) TO 24" (MAX.) ABOVE FINISH GRADE, WITH SIDE AND TOP CLEARANCES OF 12" (MIN.) FOR ANY OBSTRUCTIONS IN ALL DIRECTIONS.
10. PARALLEL INSTALLATIONS OF THE SAME TYPE OF BACKFLOW PREVENTION ASSEMBLIES ARE RECOMMENDED FOR ALL FACILITIES REQUIRING UNINTERRUPTED WATER SUPPLY, SUCH AS, HOSPITALS AND SCHOOLS.
11. THEFT PREVENTION DEVICES ARE RECOMMENDED FOR BRASS ASSEMBLIES ALLOWING ADEQUATE ACCESS TO THE ASSEMBLY FOR TESTING, MAINTENANCE, AND PROPER DRAINAGE.



REVISION	DRAWN	APPROVED	DATE
APPROVED: _____			
_____ DATE			



**EL TORO WATER DISTRICT**

**3/4" - 2" BACKFLOW PREVENTION ASSEMBLY**

STANDARD DRAWING  
**W-P**